

Area of Application:
Bench mounted
Water

Max. working pressure 10 bar

Temperature range 5°C-65°C

Details:
Rubber sealed headwork open/close 2x360°
3-Zone colour, acc. to EN13792:2002

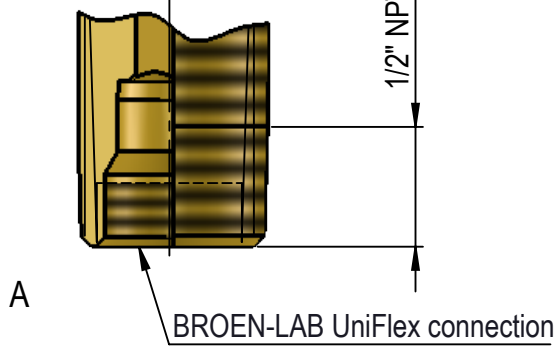
Fix. Left
Fixed nozzle

Materials in media contact:
Brass
Rubber, EPDM
Silicone based lubricant

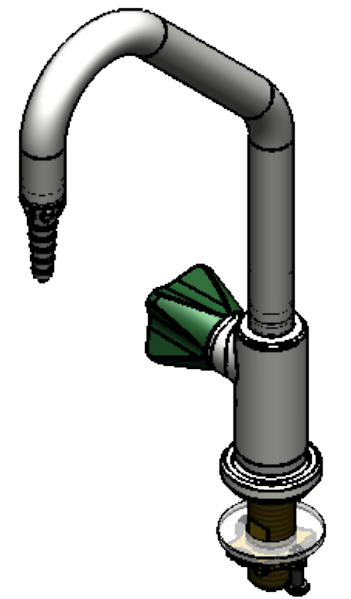
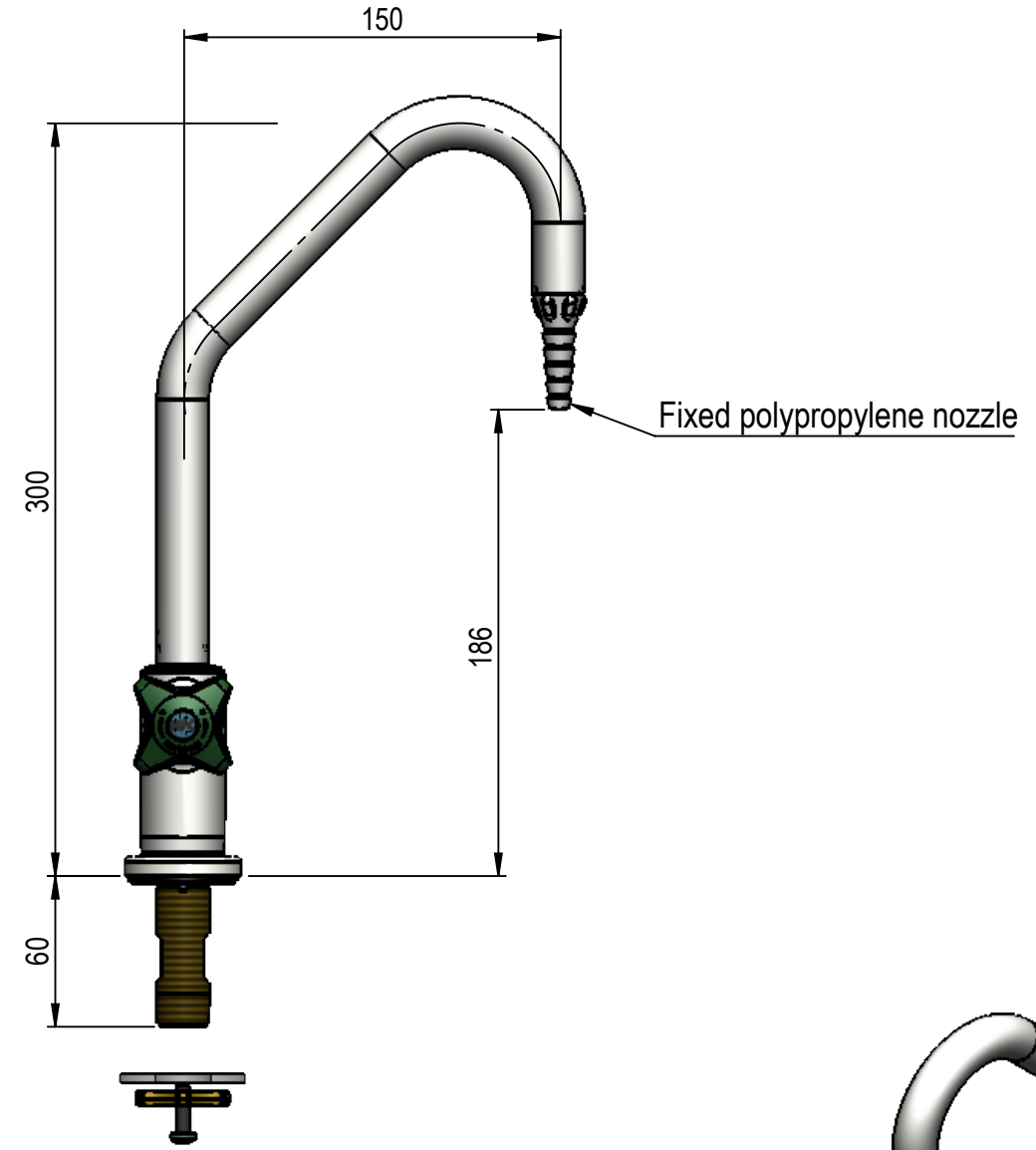
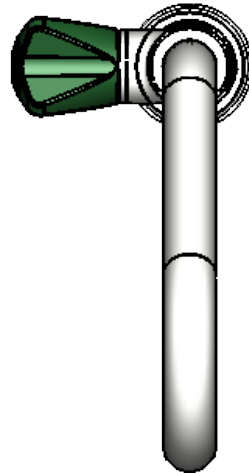
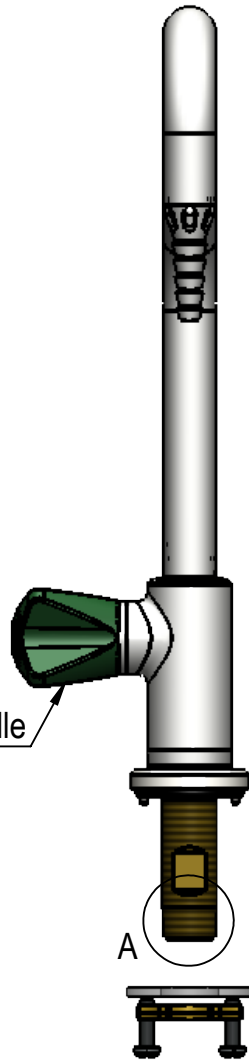
Mounting:
1/2" nut with locking pins, O-ring and washer (See 94G0232)

Inlet / outlet connection:
UniFlex
DIN 12 898 hose nozzle

1/2" NPT ANSI B1.20.1-1983



Polypropylene handle



MEDIA CODE XX FOR WATER
ONE MEDIA FITTING
ACCORDING TO EN 13792
*Model shown for WPC

| Media | Media description | Media code XX |
|-------|-------------------------|---------------|
| WPC | Water potable cold | 01 |
| WPH | Water potable hot | 02 |
| WCF | Water coolant, feed | 05 |
| WCR | Water coolant, return | 06 |
| WNC | Water non-potable, cold | 07 |
| WNH | Water non-potable, hot | 08 |
| WRC | River water cold | 33 |

Description: 1-Valve, Bench mounted, 1-Hole, Fix. Left, DIN 12 898 hose nozzle

| | | | | | | |
|------|------|------|--------|-----------|-----------|--------------------------------|
| | | | | | | Media: Water |
| | | | | | | Comments: |
| | | | | | | Drawing type: Customer drawing |
| | | | | | | Weight: 1.213 Kg |
| Rev. | Pos. | Date | TM No. | Design by | Drawn by: | Change: |
| | | | | | | Designed by: ROE |
| | | | | | | Drawn by: ROE |
| | | | | | | Released on TM No. |
| | | | | | | Date (DD-MM-YY): 23-03-20 |
| | | | | | | Format: A3 |
| | | | | | | Drawing No.: XL3401182XX-14 |

brownall
®

This drawing is our property and cannot be given to a third party, copied or otherwise used without our permission. BROEN-LAB A/S.
Revision 14-01-2011