

Area of Application:
Bench mounted
Water

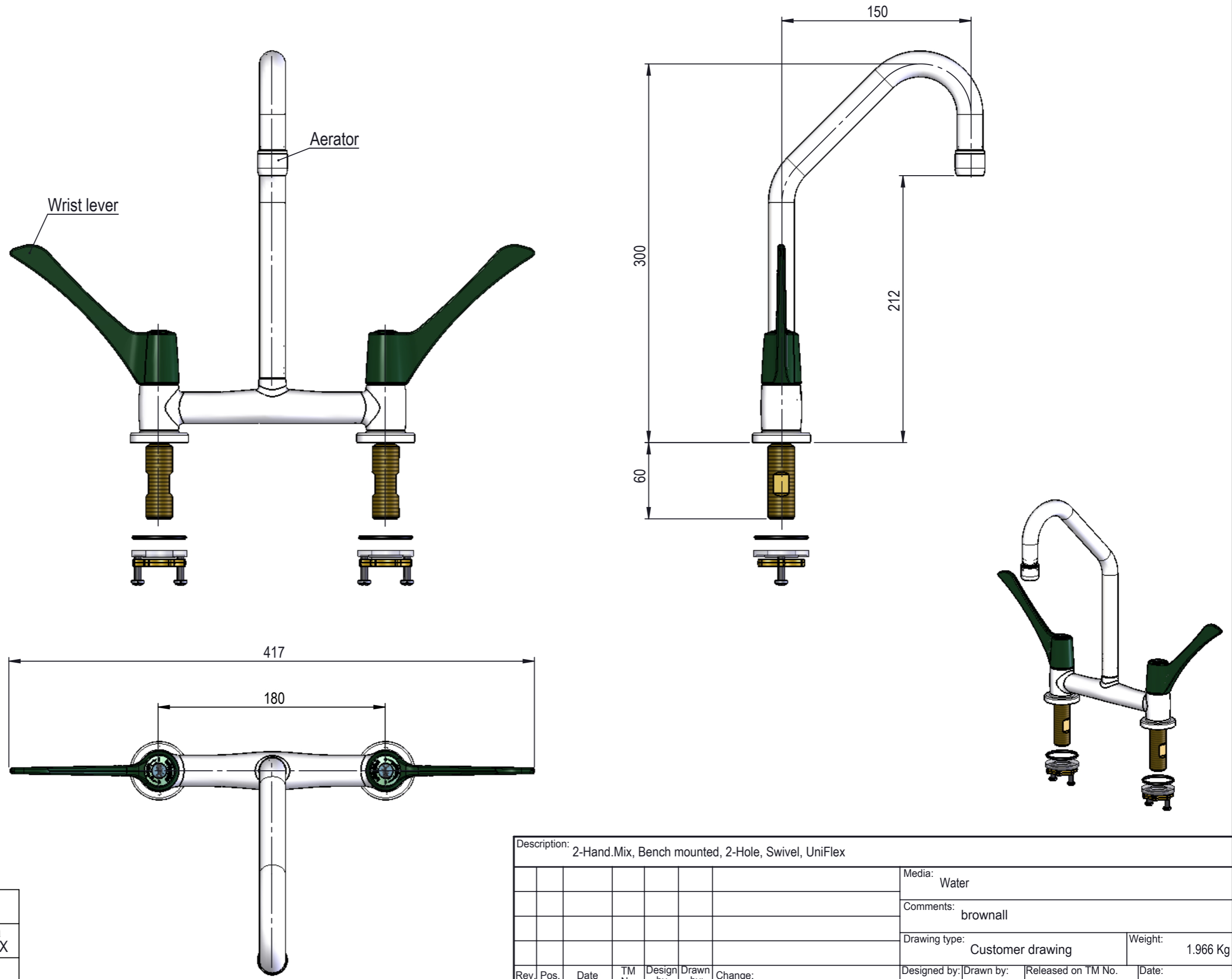
Max. working pressure 10 bar
Min. temperature 5°C
Max. temperature 90°C

Details:
Ceramic headwork open/close 90°
3-Zone colour, acc. to EN13792:2002
Swivel
Aerator

Materials in media contact:
Brass, CW614N
Brass, CW602N
Rubber, EPDM
Silicone based lubricant

Mounting:
1/2" nut with locking pins o-ring and washer

Inlet / outlet connection:
UniFlex
DIN 12 898, form A, size 1, 1/2" hose nozzle



| MEDIA CODE XX FOR WATER TWO HANDLE MIXER | | |
|--|------------------------------|---------------|
| Media | Media description | Media code XX |
| WPC WPH | Water potable cold / hot | 39 |
| WNC WCH | Water non-potable cold / hot | 40 |

| | | | | | | | | | | |
|---|------|------|--------|-----------|-----------|---------|--------------------------------|-----------|-----------------------------|------------|
| Description: 2-Hand.Mix, Bench mounted, 2-Hole, Swivel, UniFlex | | | | | | | Media: Water | | | |
| | | | | | | | Comments: brownall | | | |
| | | | | | | | Drawing type: Customer drawing | | | |
| | | | | | | | Weight: 1.966 Kg | | | |
| Rev. | Pos. | Date | TM No. | Design by | Drawn by: | Change: | Designed by: | Drawn by: | Released on TM No. | Date: |
| | | | | | | | BJP | MWA | | 20-01-2014 |
| brownall Labtap® <small>This drawing is our property and cannot be given to a third party, copied or otherwise used without our permission. BROEN A/S. Revision 14-01-2011</small> | | | | | | | Format: A3 | | Drawing No.: XL3617182XX-14 | |