

Compliance Made Easy

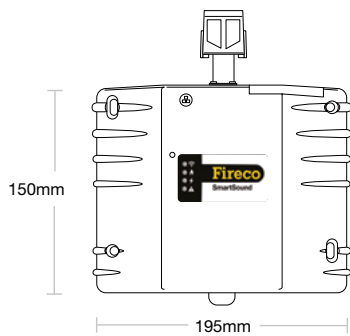
Dorgard SmartSound

Dorgard SmartSound is a wireless solution for legally holding open fire doors, closing them when a fire alarm sounds.

SmartSound technology means the doors units are not triggered by background noise.



Product Dimensions



Overall Height	205mm
Casing Height	150mm
Width	195mm
Depth	45mm
Weight	700g

Specification Overview

Power	2 x LR14 C-size batteries (included)
Expected battery life	3 years
Colour	Black, white
Activation	SmartSound listening technology
Casing	ABS Plastic
Hold open position	Can hold the door at any angle

Contact our team for more information

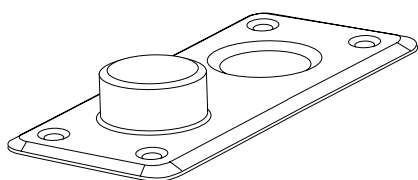
Call: 01273 320650
Email: contact@fireco.uk
Web: www.fireco.uk

Maximum door size	Power size 7 (maximum of 160 kg and 1600 mm width)
Audible warning	Warns of door closing on fire or fault
Fire rating	Suitable for up to 60-minute fire doors
Compliant to	EN1155, EN1634, EMC Directive, Radio Equipment Directive, CE Marked
Suitable for	Standard (category B) installations under BS7273-4 2015
Installation position	Bottom of door
Part Number	728-7133 Dorgard SmartSound Black 943-3945 Dorgard SmartSound White

Additional Extras

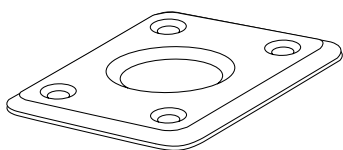
- Supplied with every Dorgard SmartSound
- Designed for use in areas with slippery floors

Bump Stop Floor Plate



Weight	62.2 g
Length	150 mm
Width	77.5 mm
Bump Stop Height	27 mm
Height	3.5 mm
Part Number	DG2610

Flush Floor Plate



Weight	19.4 g
Length	77.5 mm
Width	63.5mm
Height	3.5 mm
Part Number	DG2612