

Wireless class speaker



**Inspiring and innovative resources for
Primary and Early Years**

Declaration

Intellectual property right statement: The hardware and software of the product is protected by copyright law and the international convention. Without any written authorisation of our company, any copy of the product and of the specifications, parts or all, will bear the corresponding legal responsibility. The brochures are copyright based on our company. without the consent of our company, any part or all of the manual should not be released.

The manual is only for reference and the ultimate practical features are depending on the products which ordered and received by users.

Packing List

Wireless class speaker	1 Pc
AC Adapter.	1 Pc
AC Cable	1 Pc
User manual	1 Pc

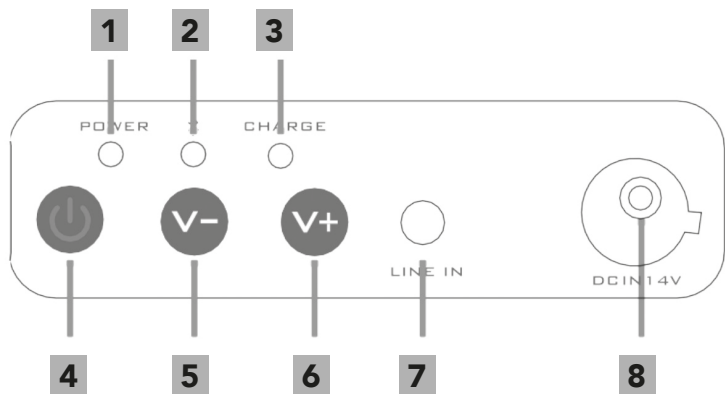
Safety Precautions and Procedures

Attention! Safety Operation Procedures: To avoid injury from electric shock adhere to the following safety procedures:

- **DO NOT** touch the power plug with wet hands. Power outlet must be 100-240VAC.
- **DO NOT** pull on the power cord to disconnect from the outlet. Stress to the cord can result in pulling the cord from the plug.
- **DO NOT** place the bluetooth speaker in direct sunlight or near any heat source such as electric/gas stove or heaters of any kind. Do not place near an open flame
- **DO NOT** place anything on top of the Bluetooth speaker. Allow the speaker to sit in an open air "environment with plenty of space around it. The unit may overheat when not in an" open air environment.
- **DO NOT** dismantle the bluetooth speaker for any reason. This will void the warranty and could cause electric shock injury. There are no user replaceable parts inside the bluetooth speaker. The bluetooth speaker can only be repaired/replaced by the manufacturer.
- **DO NOT** spill liquid on the speaker. Store in a safe dry place free from moisture.

NOT FOLLOWING SAFETY PROCEDURES VOIDS ALL WARRANTIES!

Wireless class speaker



Operation Panel

- | | |
|------------------------------------|-----------------------|
| 1 Power Status Light | 5 Volume down |
| 2 Bluetooth Indicator Light | 6 Volume Up |
| 3 Battery (Charging) Status | 7 Line In Jack |
| 4 Light Power Switch | 8 DC In Jack |

Power light status instruction table

Status/Function	Working status	Power-off status
Power status light	Red	Light off

Bluetooth indicator Light instruction table

Status/Function	Pairing	Playing Music	Power-off status
Bluetooth Indicator Light	Green	Light off	Light off

Battery charging status Light instruction table

Status/Function	Lack of power	Charging	Full of charge
Charging status light	Red / flash	Red / always	Green / always

Operating Instructions

When not in use, please switch off to conserve the battery.

Operation:

Step 1. Turn on the bluetooth speaker and the bluetooth device.

- Press the power switch for about 3 seconds to turn on the speaker

You will hear "Power on" and the power status light will turn red.

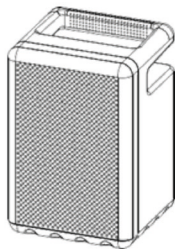
- Turn on the bluetooth device.

Step 2. Bluetooth connection

Search and connect "Wireless Class Speaker" in your bluetooth device (No password, or 0000"). Then you will hear "Pairing Completed" and the bluetooth indicator changes to green.



Cellphone & Audio Devices



Wireless class speaker

Step 3. Play music

After the bluetooth is connected, open the music player software on the phone (or other bluetooth device). Adjust the volume of the speaker or music player software to the desired level.

Step 4. Turn off the bluetooth speaker

Press the power switch for about 3 seconds to turn off the speaker. The power status light will turn off.

Wired Audio mode

Plug the audio cable to the line in socket on the bluetooth speaker. Plug the other end of the audio cable into any device with a headphone socket.

Attention: Don't use the bluetooth mode when using the wired audio mode. In wired mode, the volume up & volume down buttons do not function.

Troubleshooting

“Wireless Class Speaker” not found

Reason: Perhaps the battery of the bluetooth speaker is too low.

Solution: Please charge the speaker.

Reason: Perhaps the power switch of the speaker is turned off.

Solution: Make sure the speaker is turned on.

Reason: Perhaps the bluetooth speaker is out of range

Solution: Make sure the range is not beyond 10m.

Cannot connect with “Wireless Class Speaker”

Reason: The bluetooth speaker is already connected to another device.

Solution: Disconnect the other device and try the bluetooth connection again.

Sound is distorted

Reason: Volume is too high

Solution: Turn down the volume of the bluetooth speaker.

Unstable sound output

Reason: The bluetooth device is too far away from the speaker.

Solution: Move the bluetooth device closer to the speaker.

NO	Description	Wireless class speaker
01	Frequency	2.4G ISM
02	Power (input voltage)	DC14
03	THD	0.3%@1KHz
04	Range	10 meters
05	Sample Ratios	64KHz/16bit
06	S/N Ratio	> 95dB
07	Latency	< 0.5ms
08	Lithium battery capacity	6000mAH
09	Lithium battery life	>10h
10	Battery charge time	6-7h
11	Output power	30W
12	Frequency Modulation	Automatically
13	Working temperature	-25°C~+85°C
14	Weight	3. 29Kg
15	Product size	172 x 166 x 262mm (WxDxH)
16	Safety standard	CE FCC TELEC

Warranty

This product is guaranteed for a period of one year from the date of delivery. This warranty does not apply to defects resulting from the action of a user such as misuse, improper wiring, any operations outside of its specification, improper maintenance or repair, or unauthorized modification. Our liability is limited to repair or replacement of the product. Any failure during the warranty period should be referred to our Customer Services team.



Inspire · Create · Educate



Manufactured in China for Hope Education
Gregory street, Hyde, Cheshire, SK14 4RH, UK

